

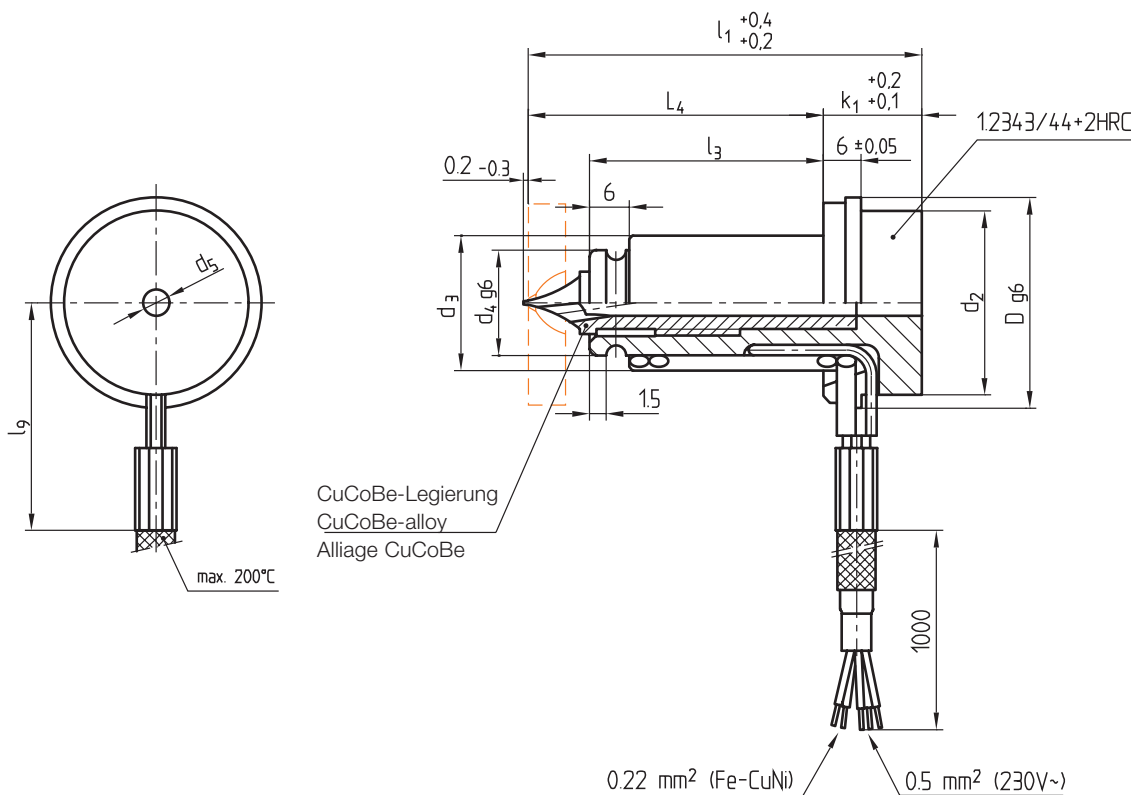
Z 200/...

230 V~

+ = Fe-CuNi
- = Fe-CuNi



► Info



Watt	d ₂	d ₃	d ₄	d ₅	k ₁	l ₃	L ₄	l ₉	D	l ₁	Nr./No.
180	20	18	12	3	13	26	37	30	25	50	Z 200/25x 50
						32	43			56	25x 56
250						39	50			63	25x 63
						47	58			71	25x 71
315						56	67			80	25x 80
180	28	21,5	16	4	15	24	35	45	32	50	Z 200/32x 50
						30	41			56	32x 56
250						37	48			63	32x 63
						45	56			71	32x 71
315						54	65			80	32x 80
400						64	75			90	32x 90
						74	85			100	32x 100
250	41	27,5	22	6	20	31	43	50	45	63	Z 200/45x 63
						39	51			71	45x 71
315						48	60			80	45x 80
						58	70			90	45x 90
400						68	80			100	45x 100
						80	92			112	45x 112
						93	105			125	45x 125

This is trial version
www.adultpdf.com